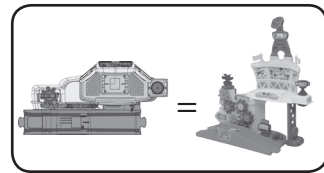
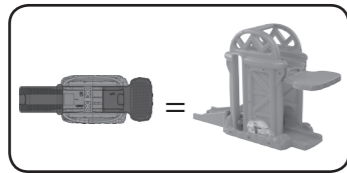


Ultimate RC Speedway™ Track Configuration Instructions

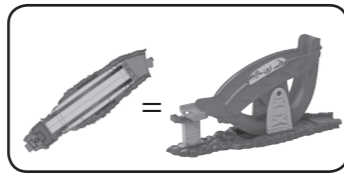
Total tracks: 35



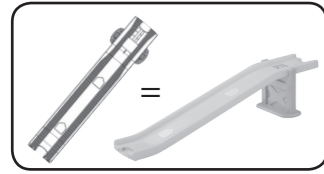
One SmartPoint® pit stop



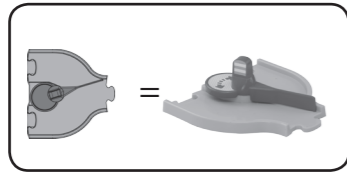
One SmartPoint® elevator



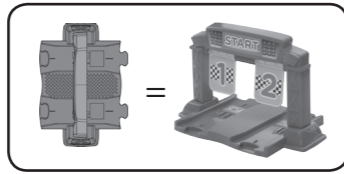
One stunt ramp track



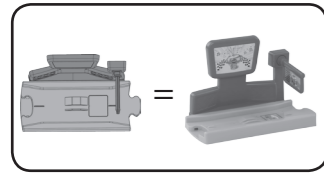
One long SmartPoint® ramp track



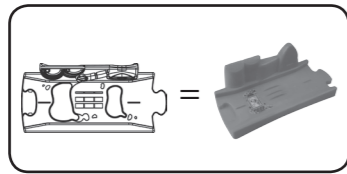
Two switch tracks



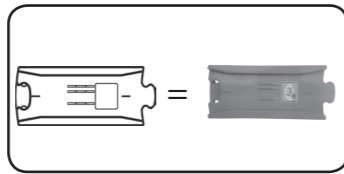
One starting line SmartPoint® track



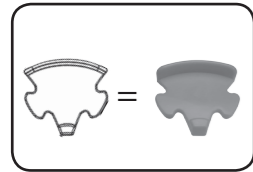
One video screen SmartPoint® track



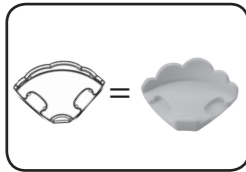
One oil spill SmartPoint® track



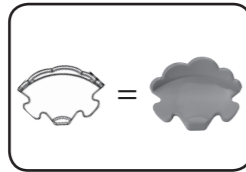
One SmartPoint® straight track



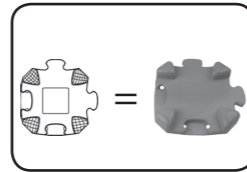
One 60-degree track, male



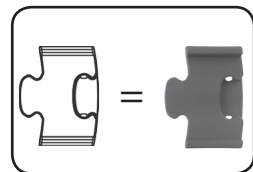
Five 90-degree tracks, female



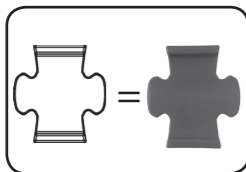
Four 90-degree tracks, male



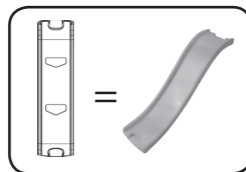
One cross track



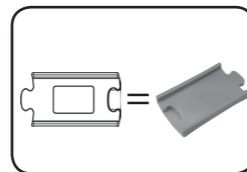
Eight 1/4 straight tracks



Three 3/4 straight tracks, male



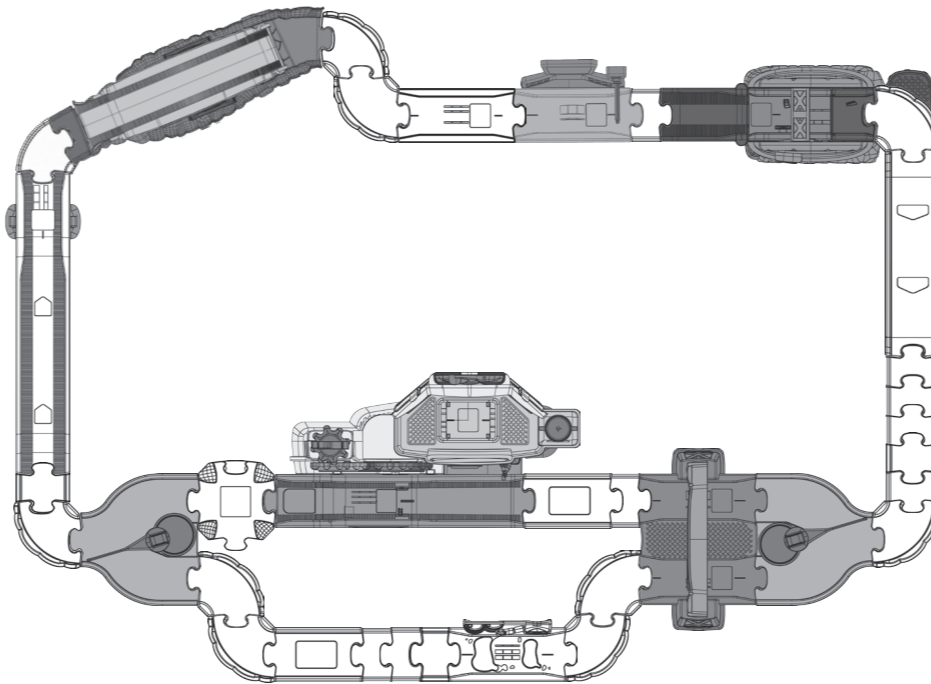
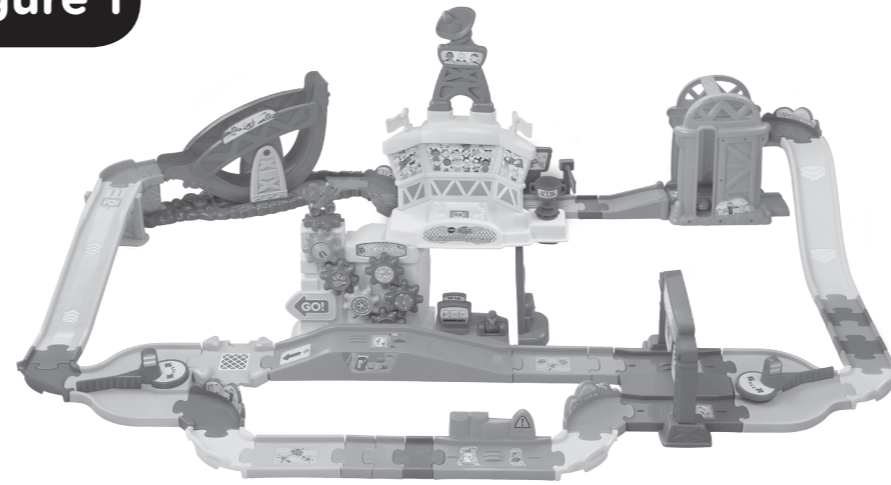
One short ramp track



Two 3/4 straight tracks

1

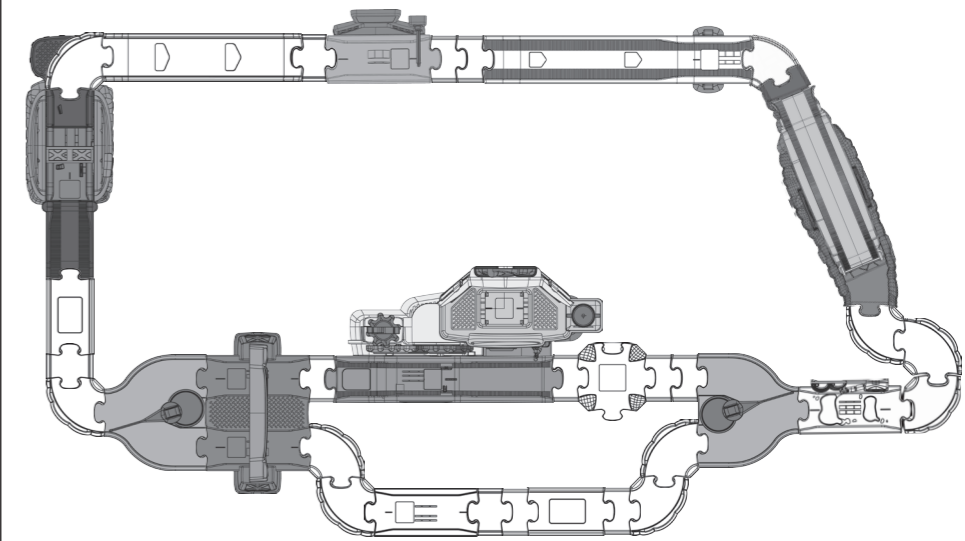
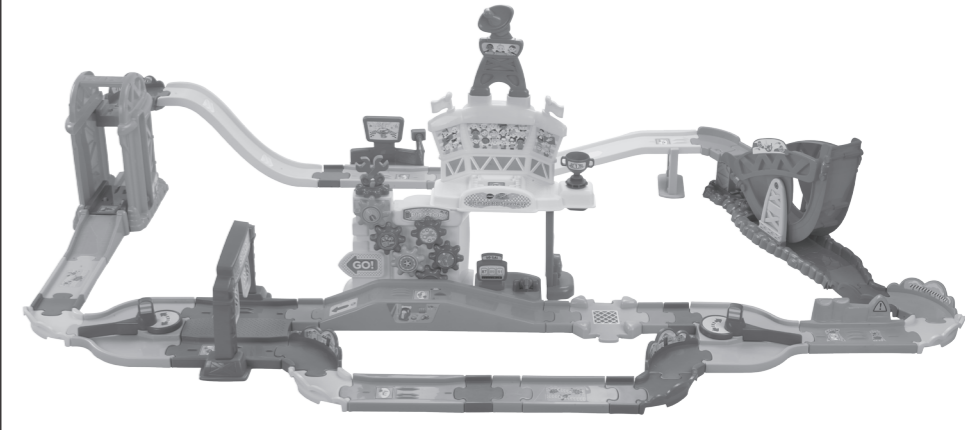
Figure 1



Required tracks : 35 of 35

2

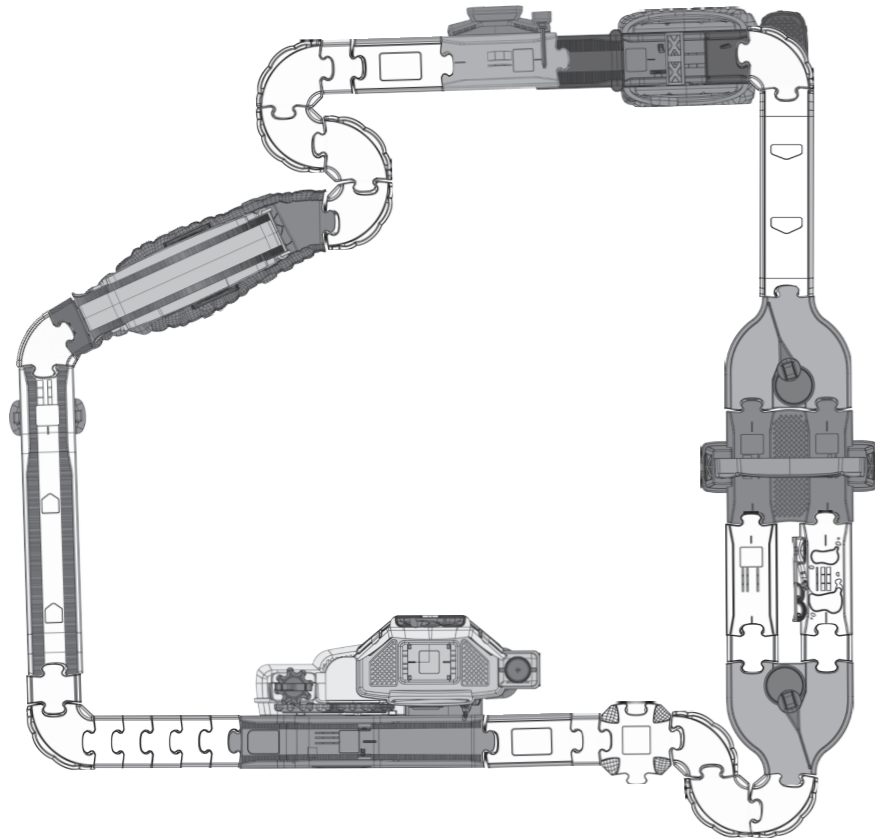
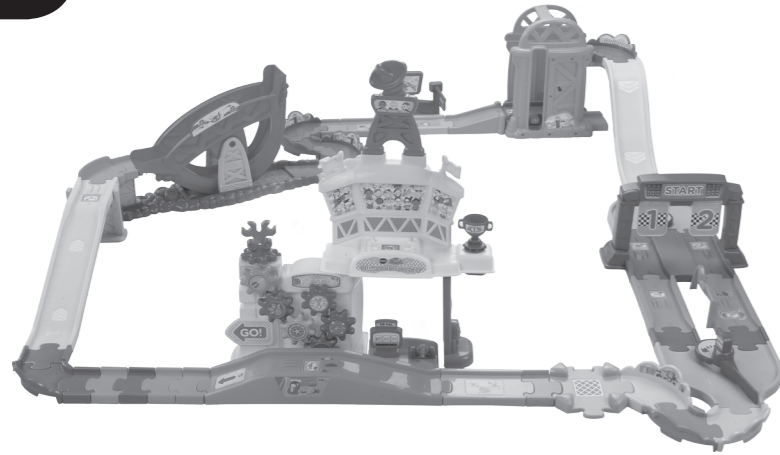
Figure 2



Required tracks : 35 of 35

3

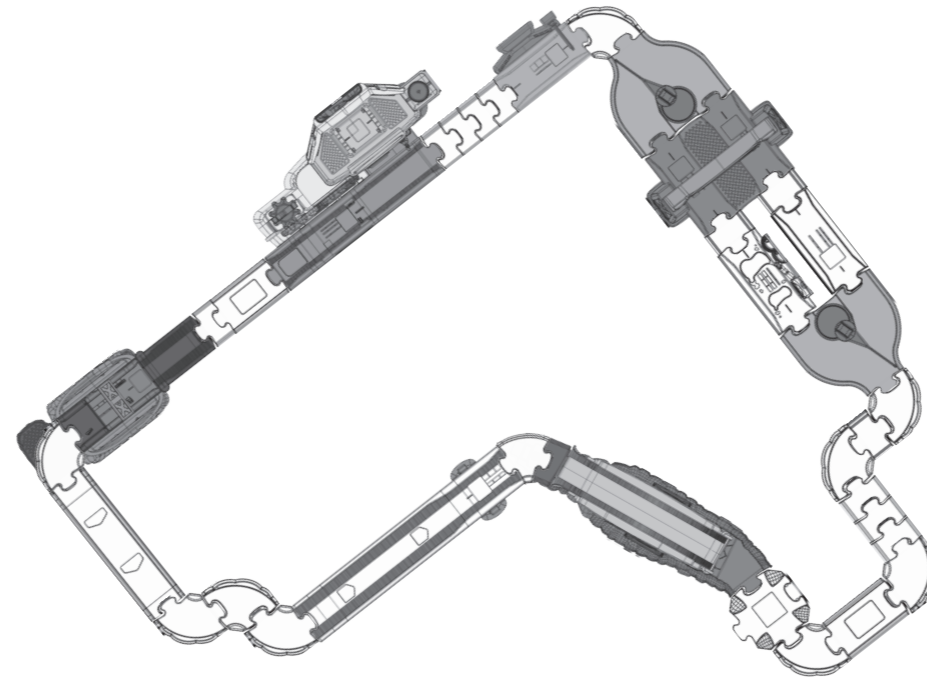
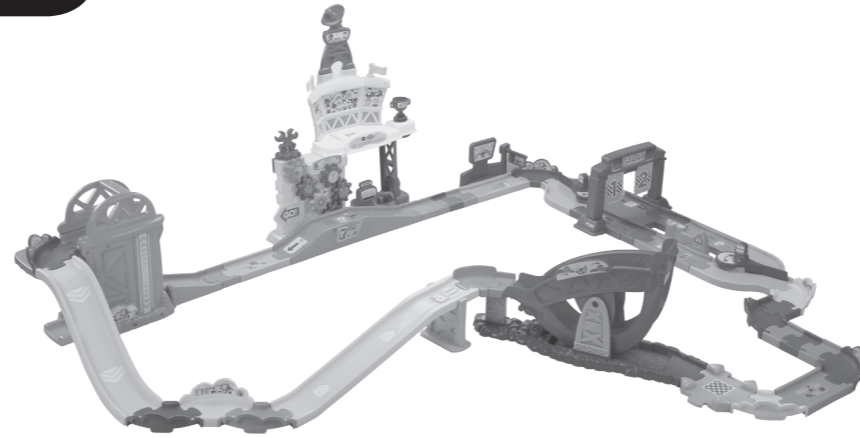
Figure 3



Required tracks : 34 of 35

4

Figure 4



Required tracks : 35 of 35

5

NOTE: For optimal performance, only play with your Go! Go! Smart Wheels® Ultimate RC Speedway™ and RC SmartPoint® Racer indoors and out of direct sunlight.

6